

# Managed Spectrum

## High Capacity, Interconnected Networking

Service solution filling the gap between Lit Services and Dark Fiber

Satisfy **high bandwidth** needs, across a **nationwide network**, via a **private connection**.

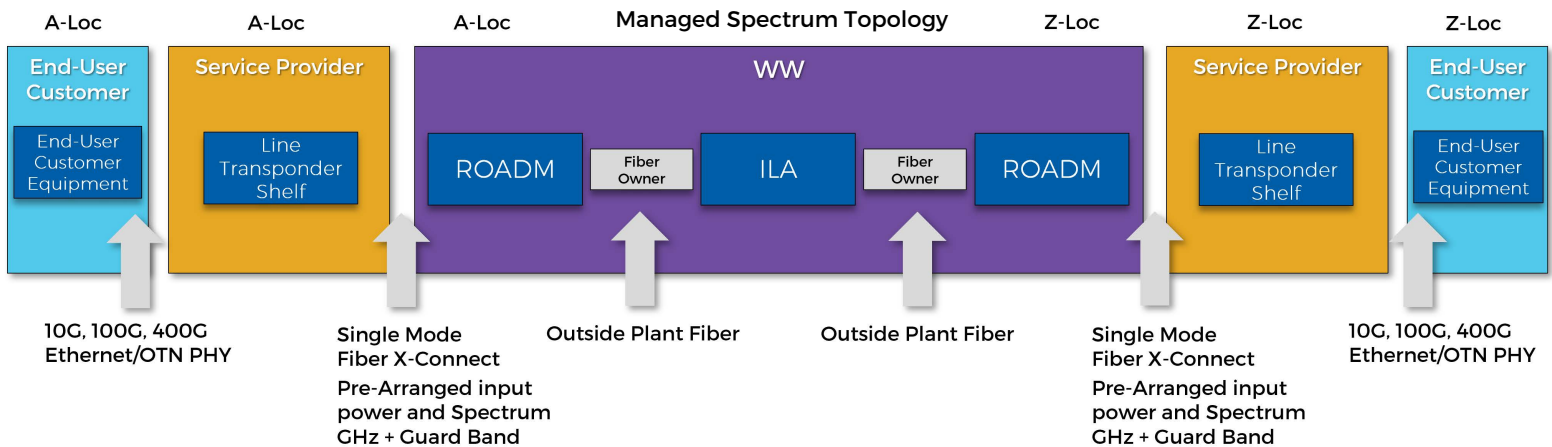
Managed Spectrum is a Dark Fiber alternative that fills the gap between Lit Services and Dark Fiber and allows customers to interconnect two metro or nationwide locations.

Equivalent to a slice of dark fiber, you gain network control, achieve performance demand, and light your route faster – minus the capital cost and operational overhead of building, managing, or maintaining your own network.

Utilizing leased optical infrastructure and our engineering expertise, you're empowered with increased operational efficiency and backed by our award-winning, nationwide ICON network.

### Key Spectrum Solution Benefits:

- Lower acquisition cost & increased financial benefits with flexible CAP-EX or OPEX model.
- Increased inventory - Spectrum is available on most routes, solving for dark fiber inventory.
- Accelerated & simplified time to market - Spectrum eliminates the need to source dark fiber, acquire real estate, people resources, or deploy line systems.
- Guarding mechanism from co-existing services.
- Optical Spectrum analysis & measurements.
- 100GHz or 112.5GHz fixed channel widths.
- 100G - 400G+ capabilities.



For additional details, contact your Account Executive, call 866.375.6040 or visit [windstreamwholesale.com](http://windstreamwholesale.com)

